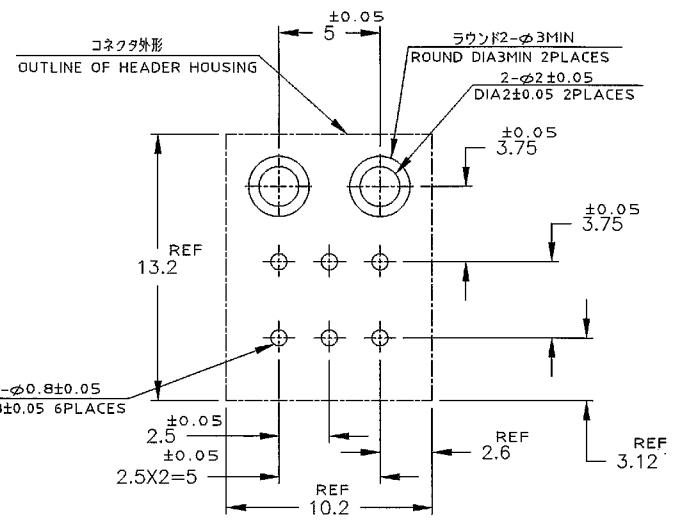
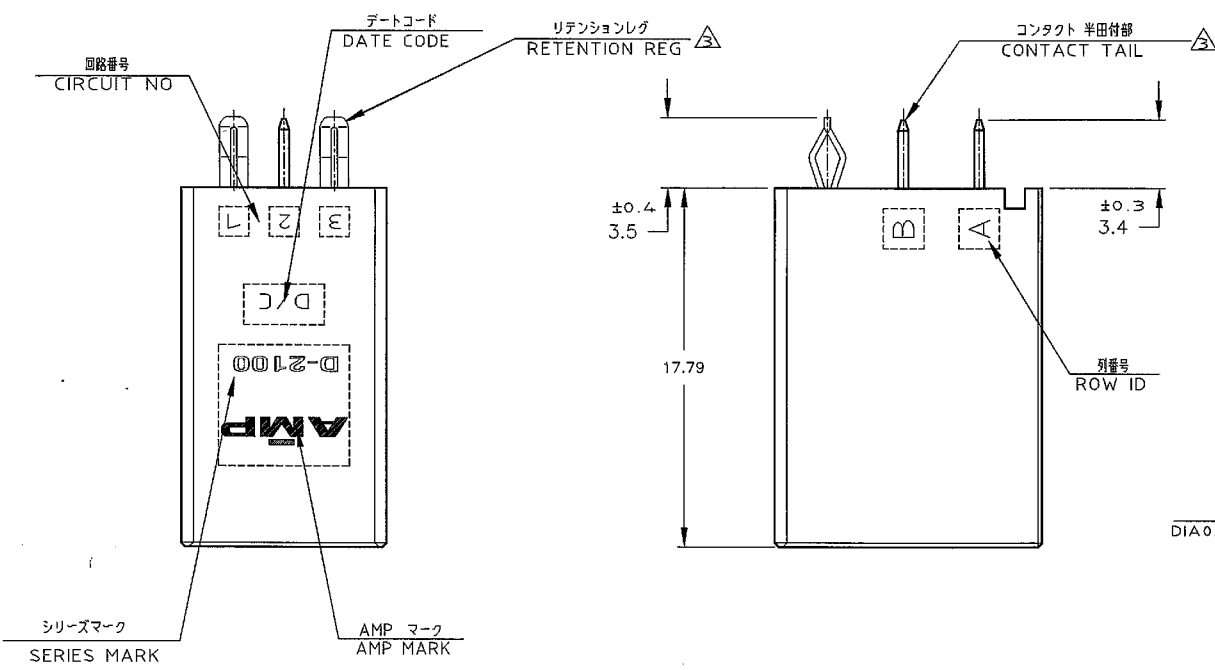


THIS DRAWING IS UNPUBLISHED. RELEASED FOR PUBLICATION 1998
 © COPYRIGHT 1998 BY AMP INCORPORATED. ALL RIGHTS RESERVED.

LOC J DIST ZDI

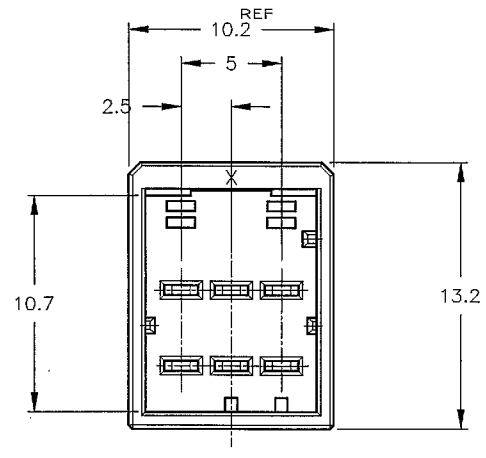
P	LTR	DESCRIPTION	ECN	DATE	DWN	APVD
0		RELEASED	FJ00-1421-98	7/DEC/98	K.I.H	
A		REVISED	FJ00-1080-00	21SEP'00	Y.K.S.M	
B		REVISED	FJD0-0039-03	2/10/03	T.S.S.M	



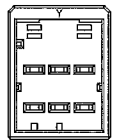
RECOMMENDED PC BOARD HOLE PATTERN (TOL: ±0.05)
 PC BOARD THICKNESS: 1.6 ± 0.3
 (CONNECTOR MOUNT SIDE)

- NOTES
- MATERIAL: HOUSING: GLASS FILLED THERMO PLASTIC, POLYESTER (94V-0), COLOR: BLACK
 TAB CONTACT: COPPER ALLOY
 RETENTION LEG: BRASS
 - FINISH (CONTACT AREA): 0.38 μm MIN GOLD PLATING OVER NI PLATING
 - FINISH (RETENTION LEG): TIN PLATED (CONTACT TAIL) OVER NICKEL

- 注記
- 材料: ハウジング: ガラス入り熱可塑性ポリエステル樹脂 (94V-0), 色: 黒
 タブ コンタクト: 銅合金
 リテンション レグ: 黄銅
 - めっき: コンタクト: 全面Ni下地 接触部: 0.38 μm MIN 金めっき
 - めっき: リテンションレグとコンタクト半田付部: ニッケル下地の下にスズめっき



1318124-1 (KEYING X)



1318124-2 (KEYING Y)
 SCALE: 2-1

THIS DRAWING IS A CONTROLLED DOCUMENT FOR AMP INCORPORATED. IT IS SUBJECT TO CHANGE AND THE CONTROLLING ENGINEERING ORGANIZATION SHOULD BE CONTACTED FOR THE LATEST REVISION.		DWN K.IKEDA 7/DEC/98		Tyco Electronics AMP K.K. Kawasaki, Japan	
DIMENSIONS: 単位: mm		CHK N.MATSUBARA 7/DEC/98		NAME 2列 ヘッダーアセンブリー 6P	DOUBLE ROW HEADER ASS'Y 6P ("V" TYPE)
TOLERANCES UNLESS OTHERWISE SPECIFIED		APVD H.HASEGAWA 7/DEC/98	PRODUCT SPEC 108-5619	<DYNAMIC D-2100D>	
MATERIAL 注記参照 SEE NOTES		APPLICATION SPEC 114-5258	WEIGHT	SIZE A3	CAGE CODE 00779
FINISH 注記参照 SEE NOTES		CUSTOMER DRAWING	DRAWING NO. 1318124	RESTRICTED TO	
			SCALE 4-1	SHEET 1	REV B